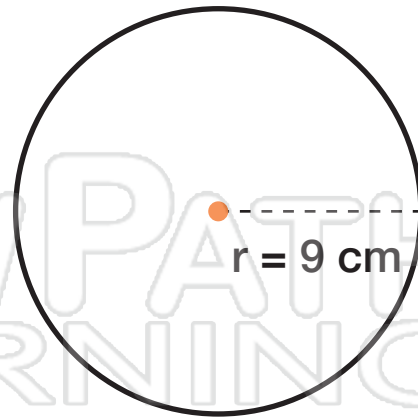
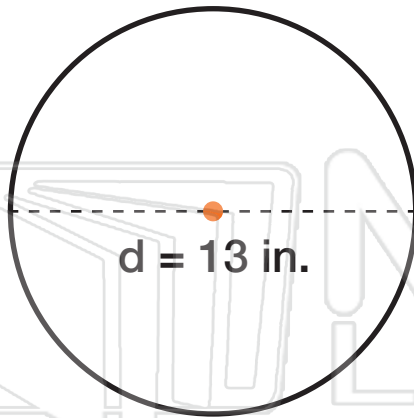




Name _____ Class _____ Date _____

Find the circumference of each circle. $C = \pi d$ or $2\pi r$



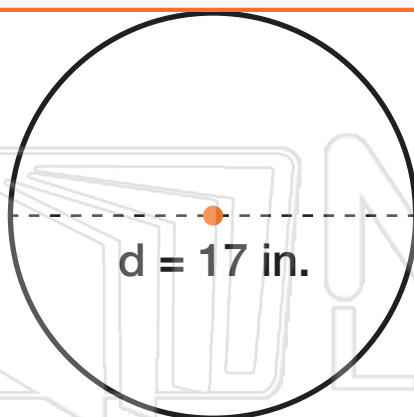
C

C



PREVIEW

Please [Sign In](#) or [Sign Up](#) to download the printable version of this worksheet



C \approx _____

C \approx _____

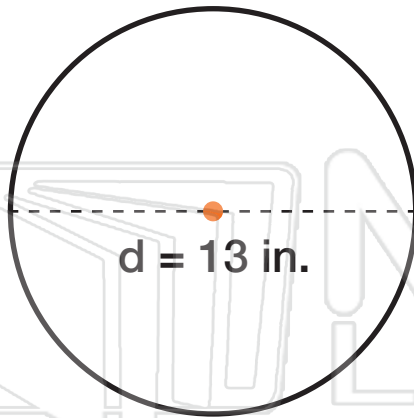


Circumference of Circles - Answer Key

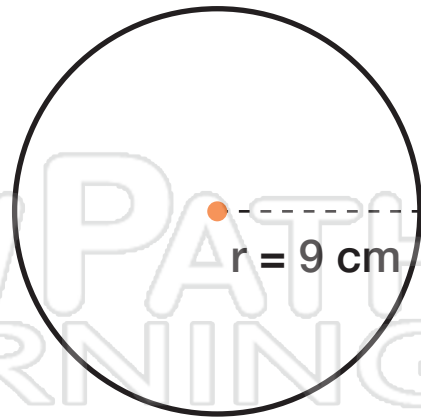
Math

Name _____ Class _____ Date _____

Find the circumference of each circle. $C = \pi d$ or $2\pi r$



$C =$ 40.82 in

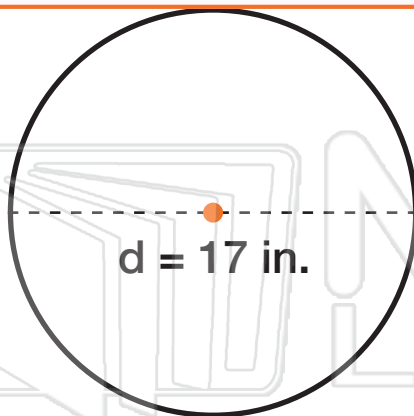


$C =$ 56.52 cm

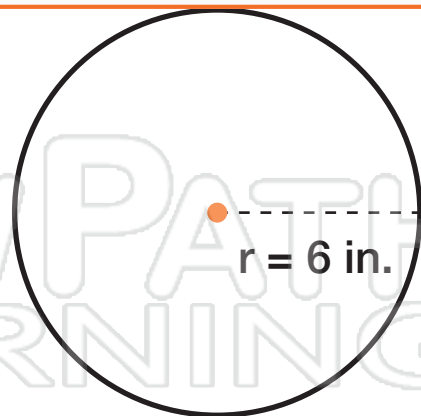


PREVIEW

Please [Sign In](#) or [Sign Up](#) to download the printable version of this worksheet



$C \approx$ 53.38 in.



$C \approx$ 37.68 in.

